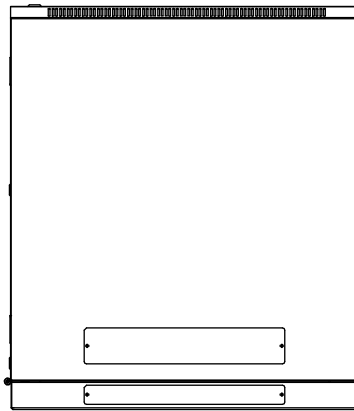
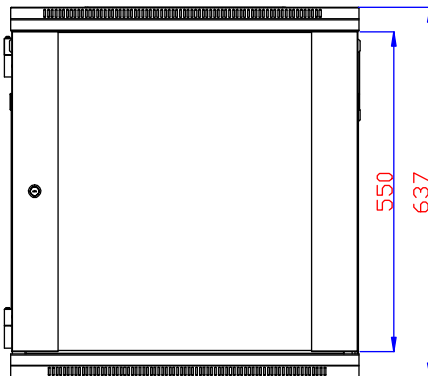


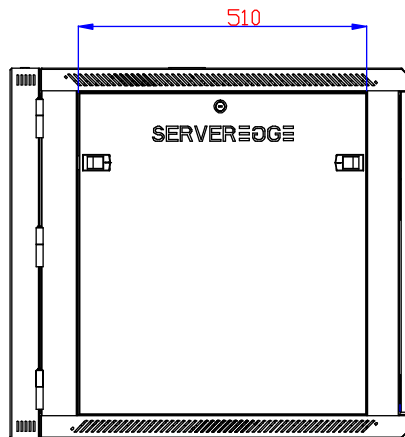
SERVEREDGE



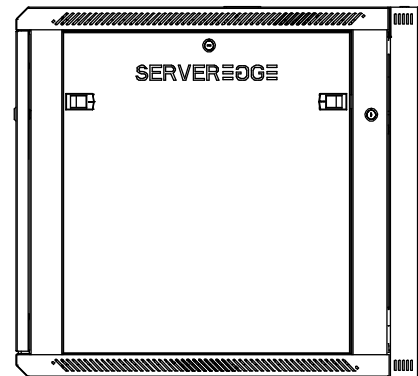
Bottom



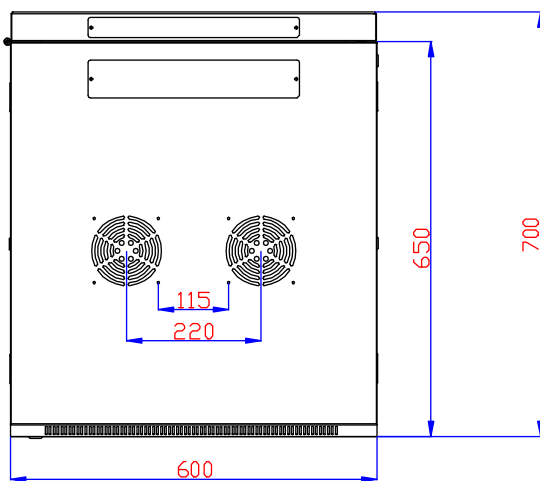
Front



Side



Side



Top

Serveredge 12RU 600MM WIDE & 700MM DEEP FULLY ASSEMBLED SWING FRAME HINGED WALL MOUNT SERVER CABINET

SERVEREDGE PART NUMBER
CBN-12RU-67WM

Package Includes

- * 1 x CBN-12RU-67WM Wall Mount Rack
- * 20 x M6 screws
- * 20 x M6 cage nuts
- * 20 x M6 washers
- * 1 x Fixed Shelves
- * 2 x Keys

Physical Specifications

Rack Height : 12RU
 Shipping Dimensions (WDH/mm) : 650 X 750 X 687
 Shipping weight (kg) : 37
 Unit Dimensions (WDH/mm) : 600 X 700 X 637
 Unit weight (kg) : 33
 Colour : Black
 Weight Capacity - Stationary (kg) : 80
 Grounding lug : Front and Back Door Frames